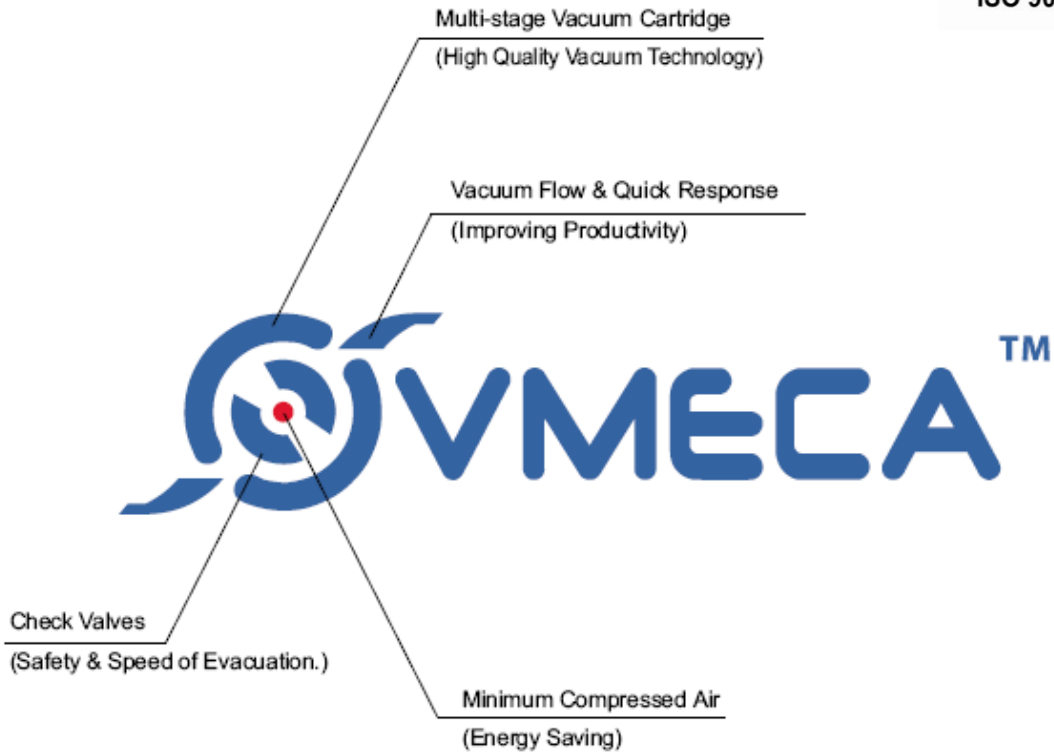


VMECA VACUUM SPEEDER

VQ SERIES

(Quick Release Vacuum Pumps)





- The "V" in our logo comes from Vacuum technology and "MECA" comes from the Mechanical technology.
- By using the vacuum cartridge icon and blue VTEC color, it clearly reminds that "VMECA" is the same brand as VTEC.
- The VMECA reflects vacuum and mechanical technologies that combines well and supplies complement system to the customers.

KMAR
Certificate No. ROM1247

Quality Management System Certificate

This is to certify that
the quality management system of

KOREA PNEUMATIC SYSTEM CO.,LTD.
at
(Rm 205, Saehan Venture World Bldg.)#113-15, Sicheung-dong, Geuncheon-gu, Seoul, Korea

Has been found to conform to the Quality Management System Standards:

KS A 9001:2001 / ISO 9001:2000

This Certificate is valid for the following product or service ranges:

*Design, Manufacture and Services of Vacuum Pumps,
Vacuum Conveyors, Vacuum Pads, Vacuum Filters and Related Parts*

Issue Date
Jul. 9, 2007

Certification Date : Jul. 6, 2007 Valid Date : Jul. 5, 2010

Authorized By: *Ch Park*
Ki Ho Park, President

• Mark indicates that KMAR is accredited by the KAB (No. KAB-QC-17)
• Mark indicates that KMAR is Accredited by the member of the International Accreditation Forum Multilateral Recognition Arrangement
• KQIC CODE: 183-2012 Initial certification date: Jul. 8, 2007
KMAR: 15ong, 12F, Ace High Tech City, #54-66, Mulsae-dong, 3-gu, Yeongju-si, Gyeongsangbuk-do, Seoul, 150-180, Korea

특허증
CERTIFICATE OF PATENT

특허 제 10-1029967 호 출원번호 (APPLICATION NUMBER) 제 2011-000081 호
(PATENT NUMBER) 등록일 (REGISTRATION DATE) 2011년 01월 03일
공표일 (PUBLICATION DATE) 2011년 04월 12일

발명의명칭 (TITLE OF THE INVENTION)
픽-딜리즈 진공펌프

특허권자 (PATENTEE)
한국뉴메텍(주) (134911-0*****)
서울특별시 금천구 독산동 501-5

발명자 (INVENTOR)
조호영 (630104-1*****)
서울특별시 금천구 시흥동 1013 백산아파트 520동 1901호

위의 발명은 「특허법」에 의하여 특허등록원부에 등록
되었음을 증명합니다.
(THIS IS TO CERTIFY THAT THE PATENT IS REGISTERED ON THE REGISTER OF THE KOREAN
INTELLECTUAL PROPERTY OFFICE.)

2011년 04월 12일

특허청
COMMISSIONER, THE KOREAN INTELLECTUAL PROPERTY OFFICE

연사등록료 납부일은 인정등록일 이후 4년차부터 매년 04월 12일까지이며 등록원부로 관리관계를 확인하십시오.

VQ SERIES

- Max. Vacuum Level** : - 90 kPa (-675 mmHg)
- Max. Flow Rate** : 85.8NI/min (3.01 scfm)
- Supply Air Pressure** : 4 ~ 6 bar, max 7 bar
(58~87psi, Max.101.5 psi)
- Air Consumption** : 32 NI/min (1.12 scfm)
- Supply Air Type** : Dry compressed air
- Working Temperature** : - 20°C ~ 80°C (- 4~ 176°F)
- Noise Level** : 55 ~ 65 dBA



Features

- ✓ Integrated with innovative Multi-Stage VMECA Vacuum Cartridge
- ✓ Auto Blow-Off
- ✓ Compact Size and Light Weight
- ✓ Adjustable Blow-Off Air-Flow
- ✓ Fast Response Time
- ✓ Easy Installation and Low Maintenance Cost
- ✓ Automatic Filter Cleaning
- ✓ Low noise level
- ✓ Low Air Consumption (Energy Saving)
- ✓ Integrated Vacuum Filter

Ordering Information

VQ 203S - 38F - S - V

① ② ③ ④

① Vacuum Cartridge

•	202P	-	VC202P
	203S	-	VC203S

② Vacuum Port

•	38F	-	G3/8" Female
---	-----	---	--------------

④ Sealing Material

•	No Mark	-	NBR
	V	-	Viton
	E	-	EPDM

③ Vacuum Switch

No Mark	-	Not attached
•	S(P)	Output 1 point, No analog supply M8-3Pin male connector (15cm lead wire)
	SG(P)	Output 1 point, No analog supply (Grommet type 3 core, 3m lead wire)
	S2(P)	Digital output 2 points, No analog supply M8-4Pin male connector (0.3m lead wire)
	SG2(P)	Digital output 2 points, No analog supply (Grommet type 4 core, 2m lead wire)
	SG3(P)	Digital output 2 points, Analog Supply (Grommet type 5 core, 2m lead wire)

※ Remark : ① S..(P)

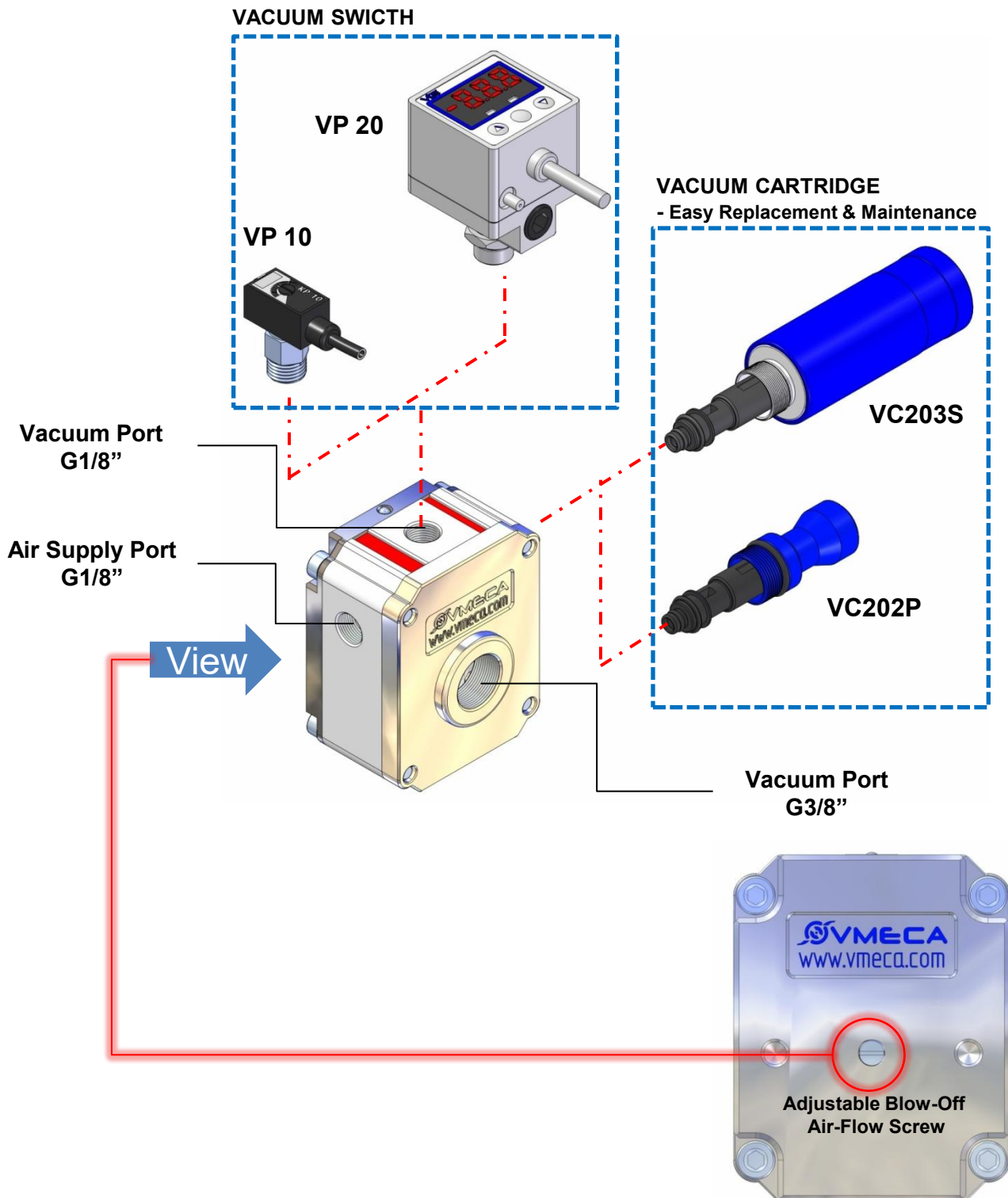
↳ Output type : PNP open collector

② VC M8-3-3 : M8-3pin female connector, option for 'S' or 'SP'

③ VC M8-4-4 : M8-4pin female connector, option for 'S2' or 'S2P'

Structure

VMECA Vacuum Speeder VQ Series is easy to install, easy maintenance, and fits in limited workspace.

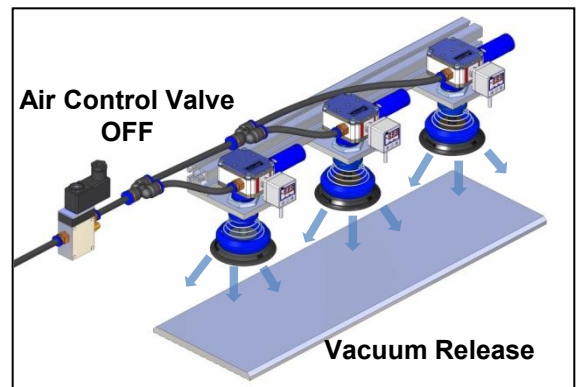
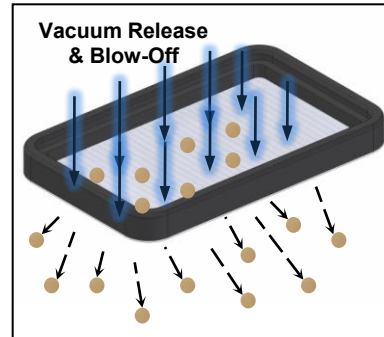
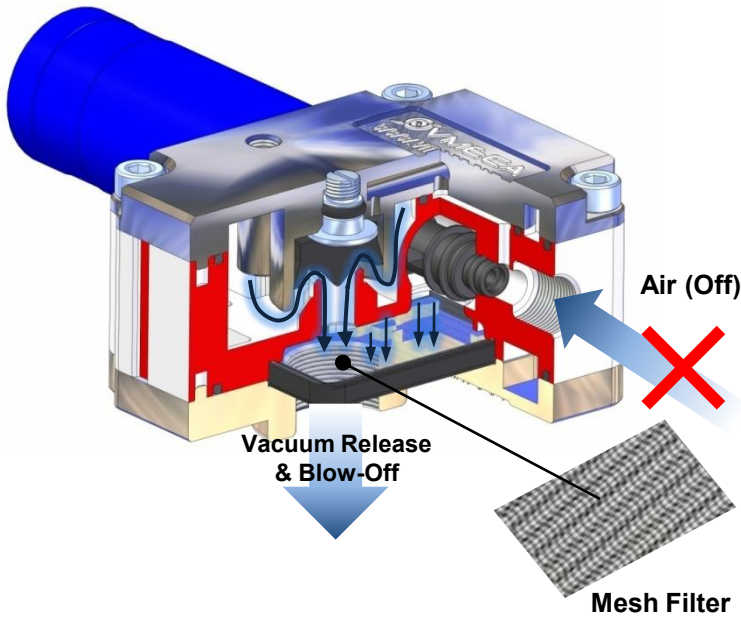


Quick Vacuum Release & Blow Off – Fast Response Time

The VQ series stops generating vacuum once the compressed air is cut off.

At the same time, the compressed air which was held captive inside the chamber gets blown outside.

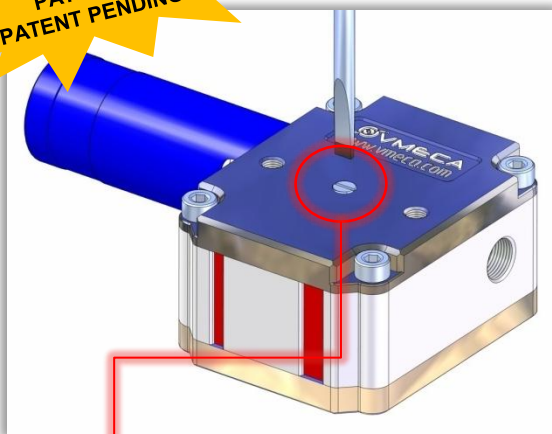
While the air is blowing out, the air cleans out the filter as well.



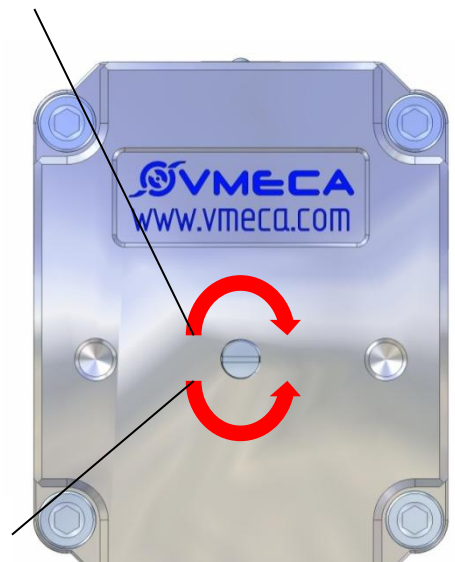
Adjustable Blow-Off Air-Flow

The Blow-Off air flow can be adjusted by adjustable Blow-Off Air-Flow Screw. Adjustment should be made to maximize efficiency depending on the weight/feature of the work piece.

PATENT & PATENT PENDING



Clockwise Rotation:
Decreasing Blow-Off Air Flow

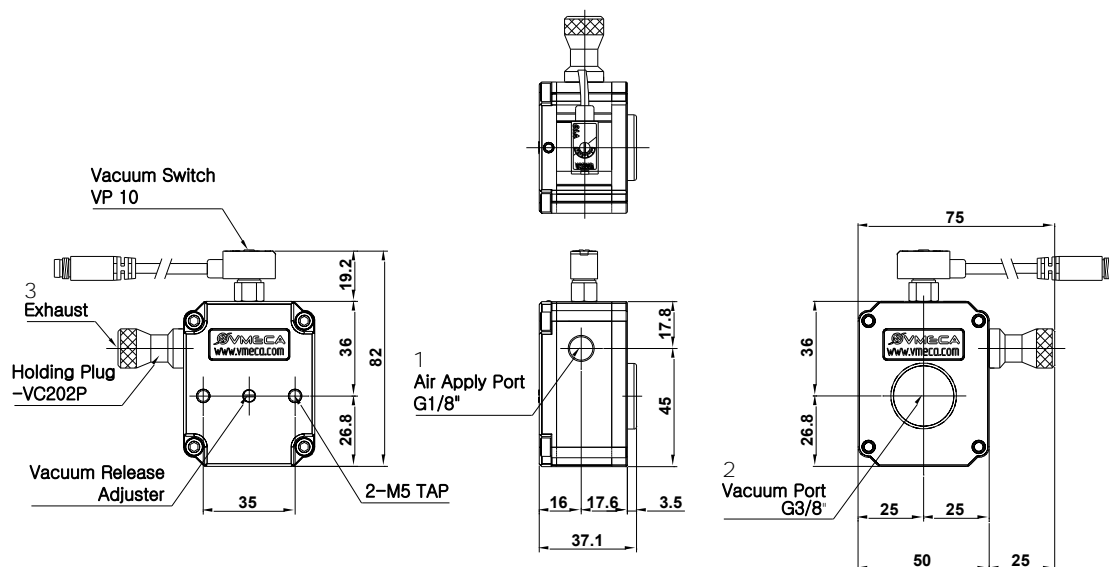


**Adjustable Blow-Off
Air-Flow Screw**

**Counter-Clockwise rotation:
Increasing Blow-Off Air Flow**

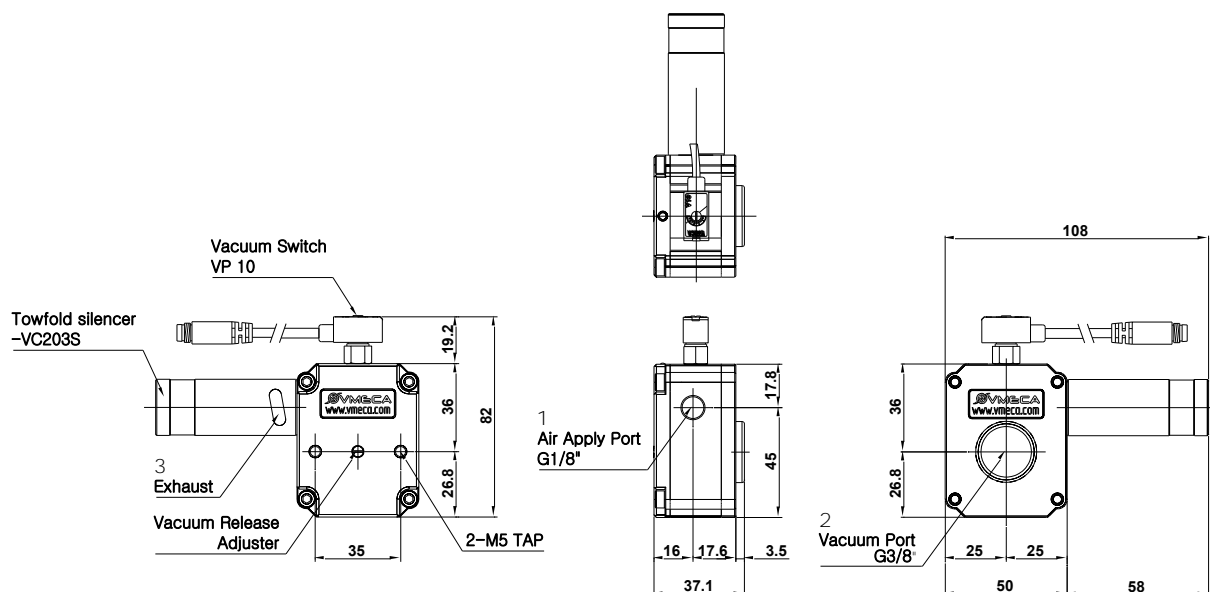
Dimensions

VQ20SP – 38F – S...



Unit: mm

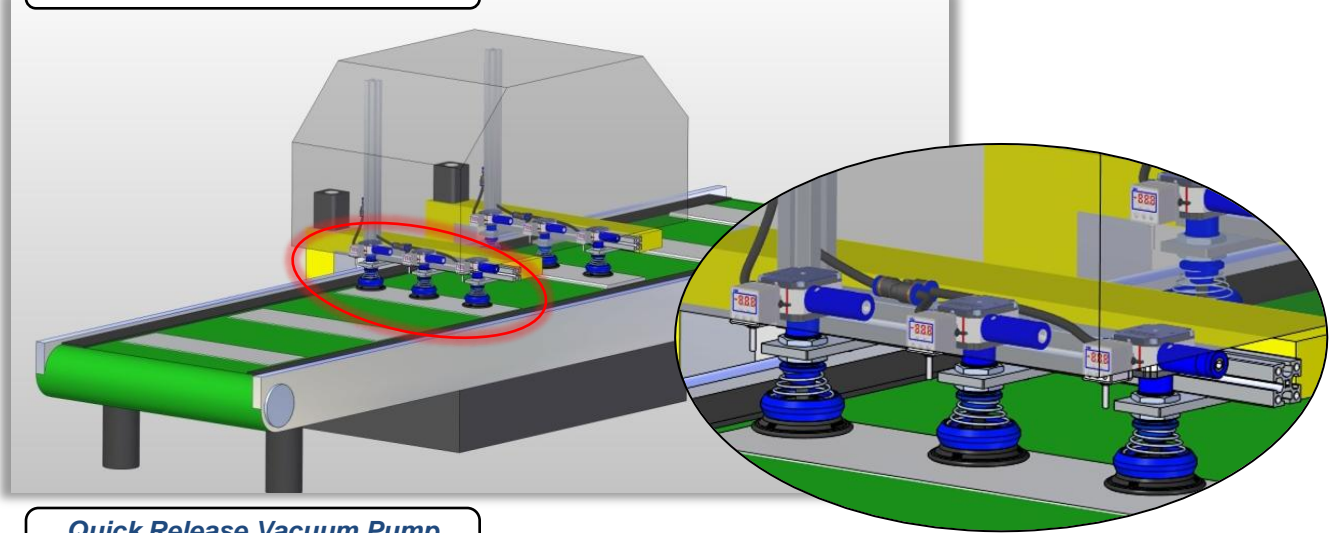
VQ203S – 38F – S2...



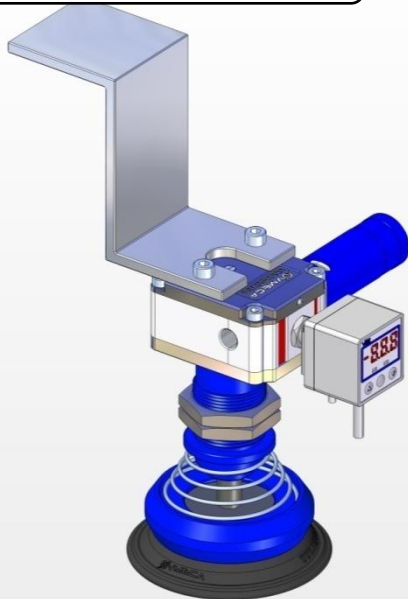
Unit : mm

Applications

Operation in Limited Space



Quick Release Vacuum Pump + Smart Suction Cup



Quick Release Vacuum Pump + Suction Pad



Quick Release Vacuum Pump + Smart Suction Cup

